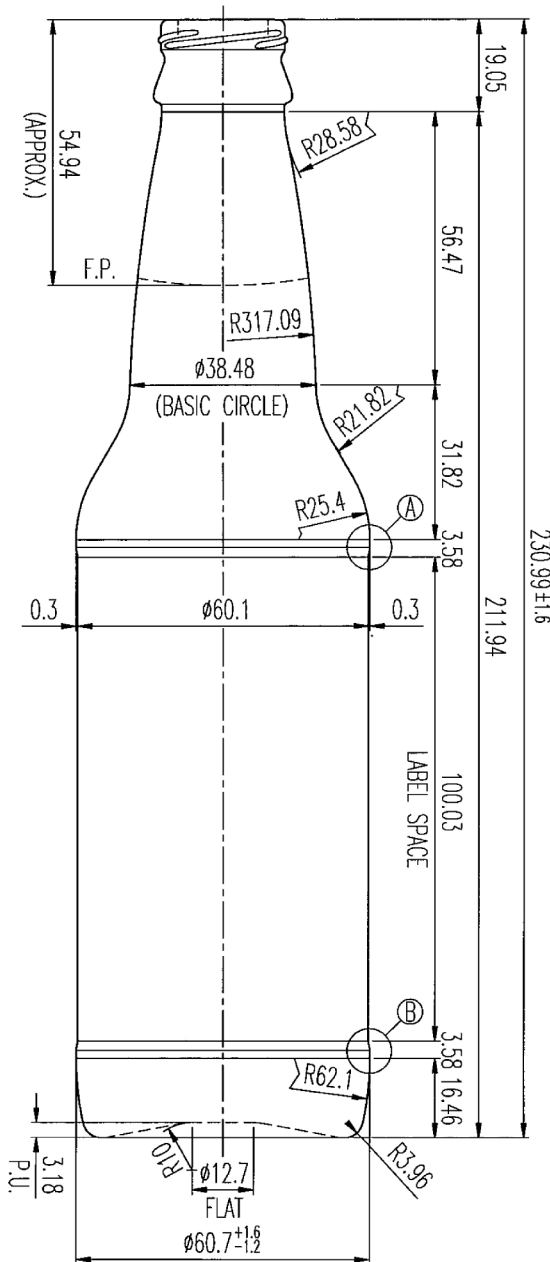
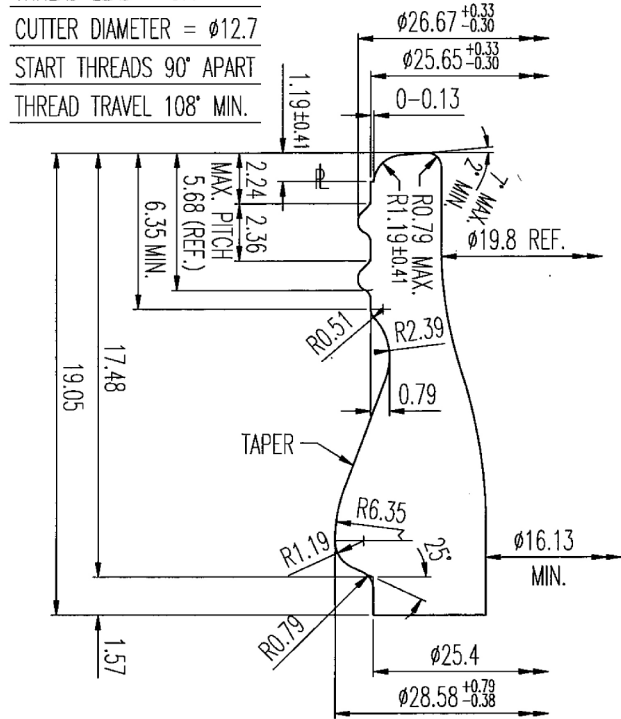


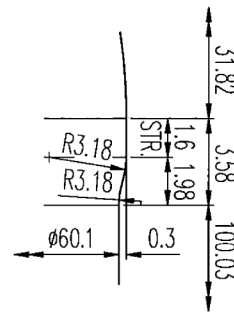
The 12oz LONG NECK



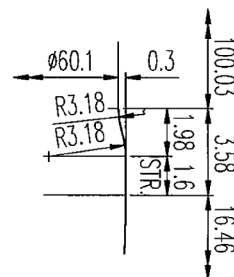
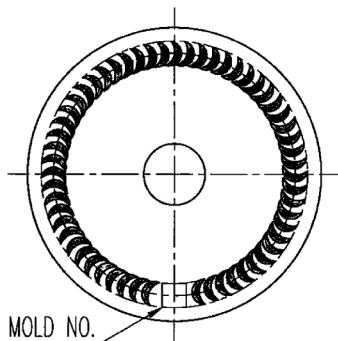
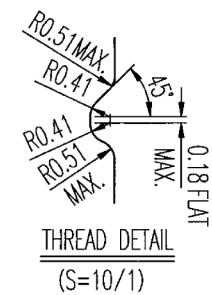
THREAD IS 4 LEADS
 THREAD LEAD = 9.4
 CUTTER DIAMETER = $\phi 12.7$
 START THREADS 90° APART
 THREAD TRAVEL 108° MIN.



FINISH DETAIL (S=5/1)



"A" DETAIL (S=5/1)



"B" DETAIL (S=5/1)