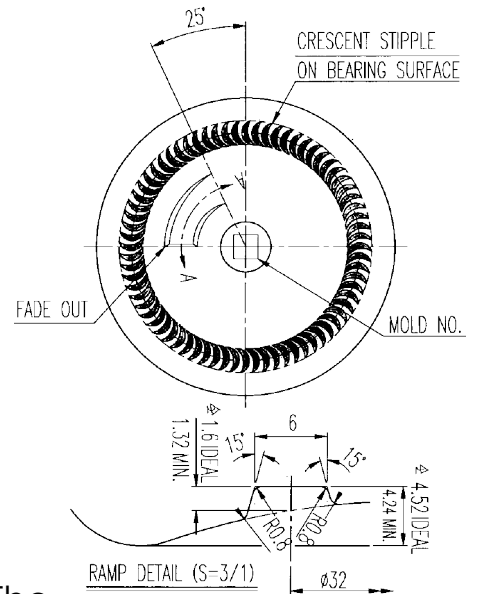
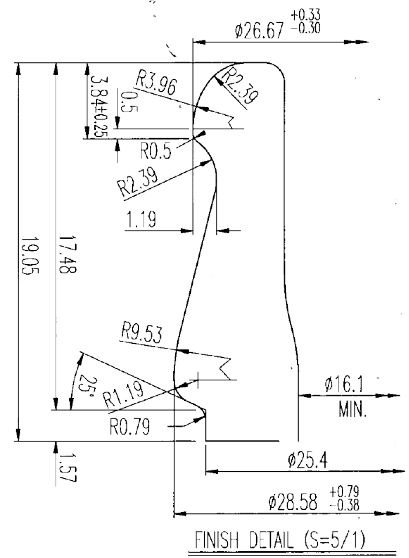


Type:
22oz BEER



The
22oz BEER 7722000AA7
Fill Point Capacity: 650ml
Brimful Capacity: 689 +/- 9.5ml
Weight: 370g +/- 1.6
Height: 300mm
Gas Volume: 3.0
pasteurization does not exceed
145 degrees Fahrenheit
Diameter: 74.3 +/- 1.6
Finish: 600-26
Mold#: M-3195-01R2

VFRSİK

VERSION 2	June 19, 2014