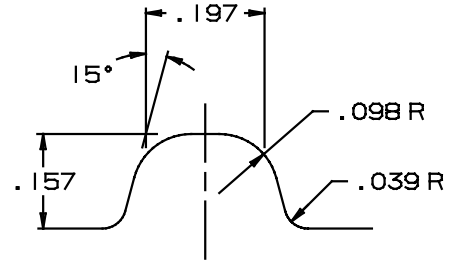
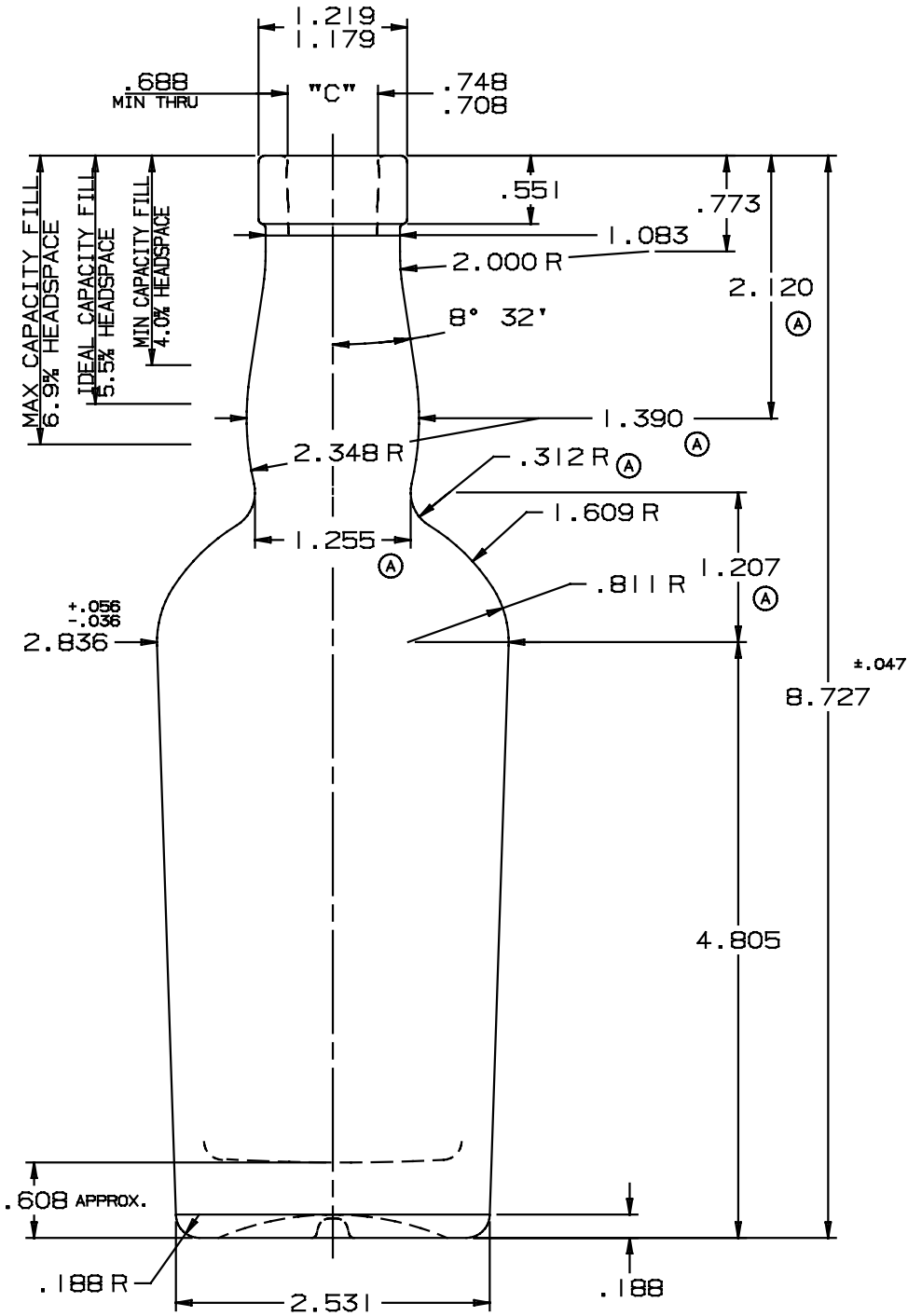


Type:  
SPIRIT

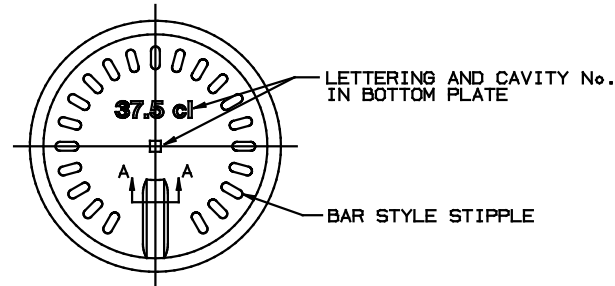
## The 375 ml Tennessee

Fill Point Capacity: 375ml  
Brimful Capacity: 386.5ml- 397.5ml  
Weight: 14.897oz  
Height: 8.682in +/- .047in  
Diameter: 2.523in  
Finish: GPI  
Mold#: L949RT

VERSION 1	Sept 30, 2014



SECTION A-A  
SCALE 5 x 1

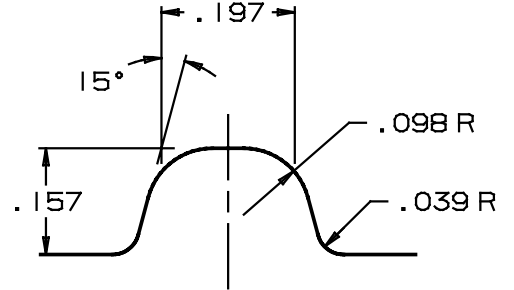
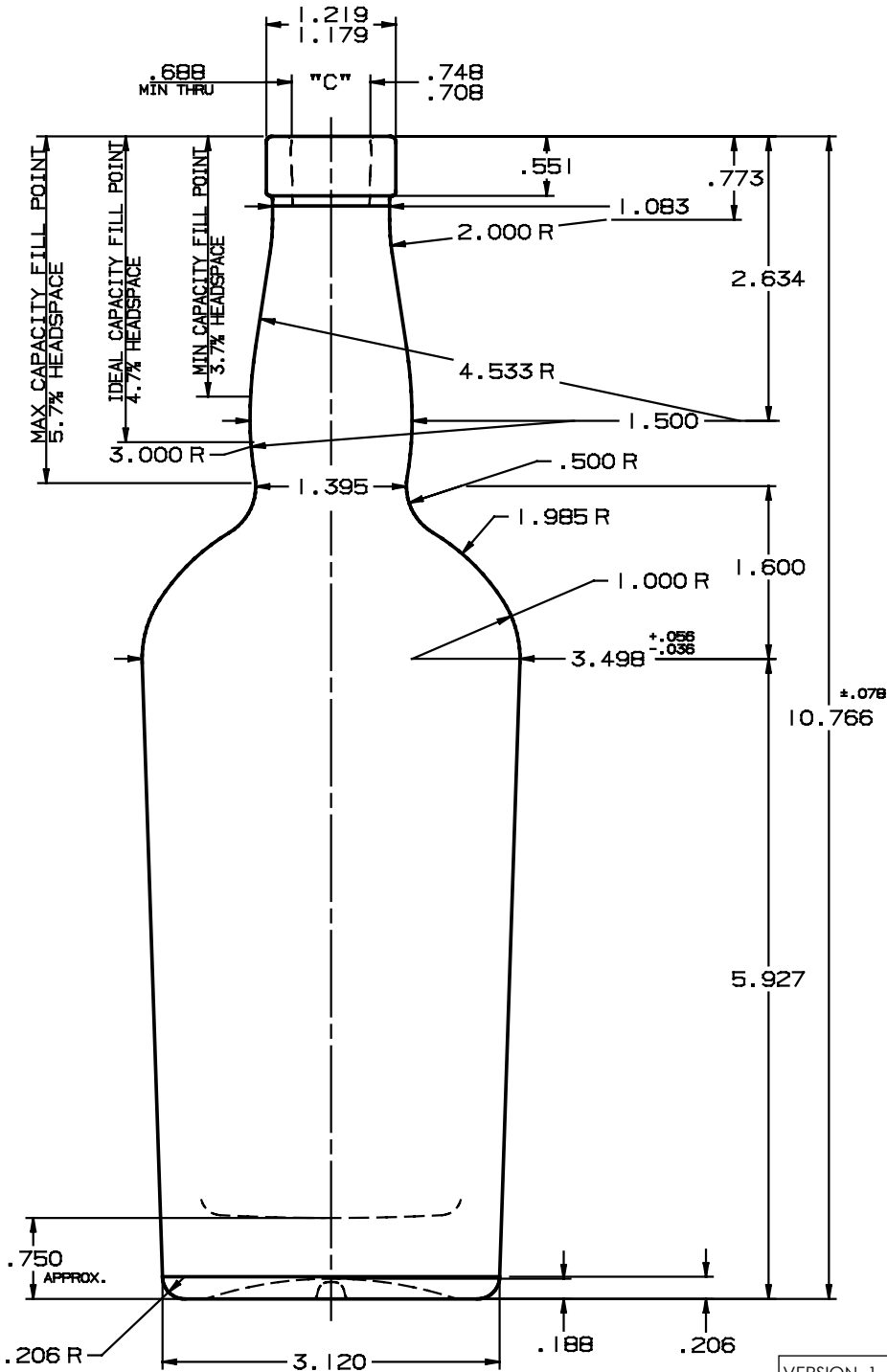


The  
**TENNESSEE 375ml**

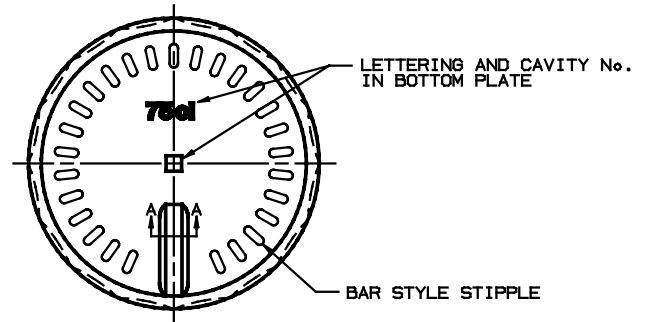
Fill Point Capacity: 375ml  
 Brimful Capacity: 390-401cc  
 Weight: 15.250oz  
 Height: 8.727  
 Diameter: 2.836  
 Finish: 18.5mm BT  
 Mold#: C-41007A

Type:  
SPIRIT

VERSION 1	Feb 24, 2012



SECTION A-A  
SCALE 5 x 1



The  
**TENNESSEE**

Fill Point Capacity: 750ml  
Brimful Capacity: 785.0cc  
Weight: 23.109oz  
Height: 10.766  
Diameter: 3.498  
Finish: 18.5mm BT  
Mold#: C-41000A

Type:  
SPIRIT

VERSION 1	Feb 24, 2012